

1

2

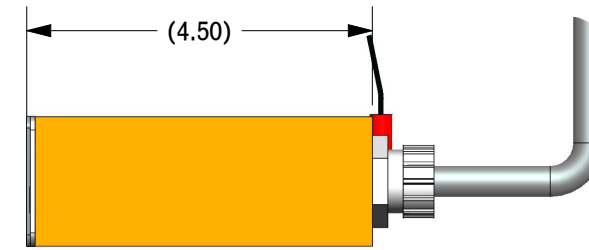
3

4

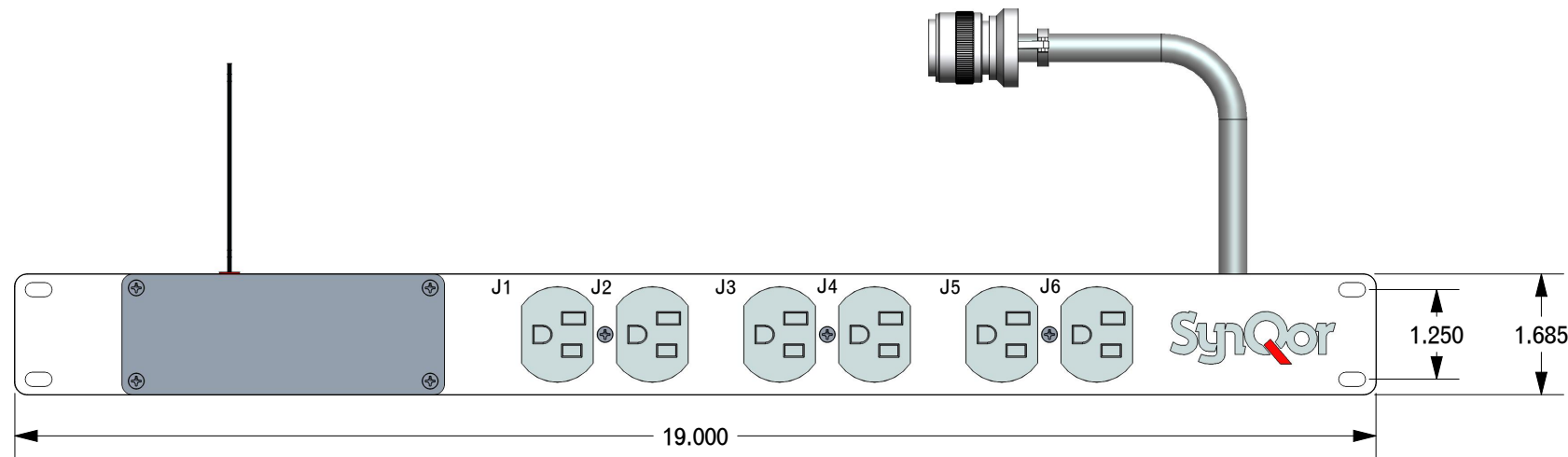
A

A

REVISIONS			
REV	DESCRIPTION	DATE	APPROVED
A	RELEASE TO PROD PER ECO 12-15488	AUG-21-12	J.TICHY
B	CABLE ORIENTATION PER ECO 20-26211	FEB-04-20	K.DUBROWN



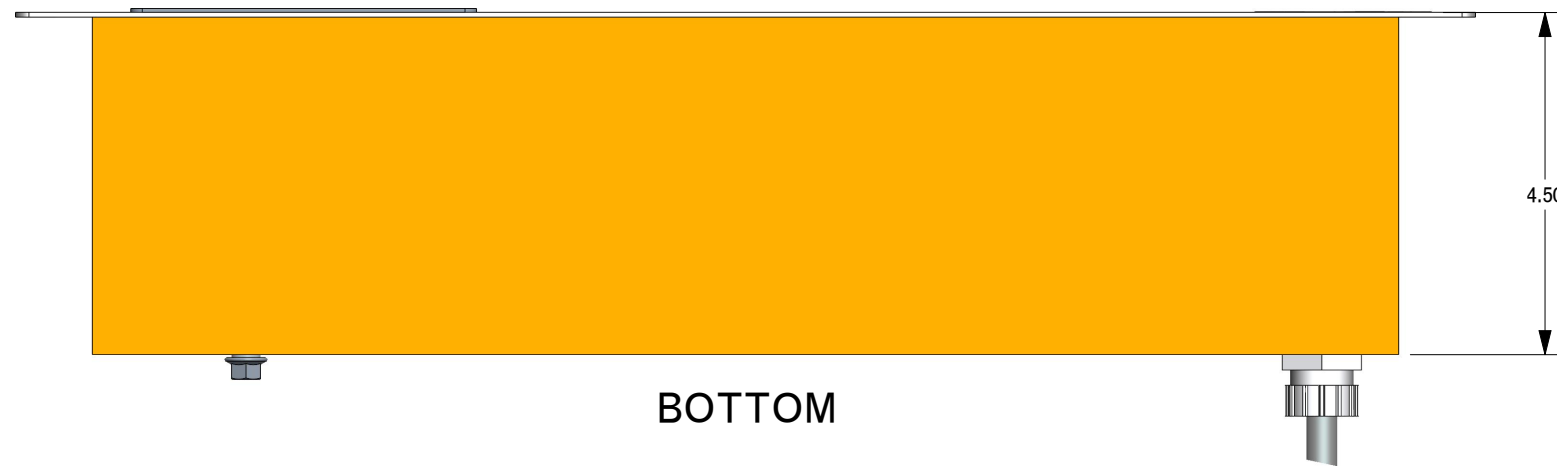
RIGHT



FRONT

B

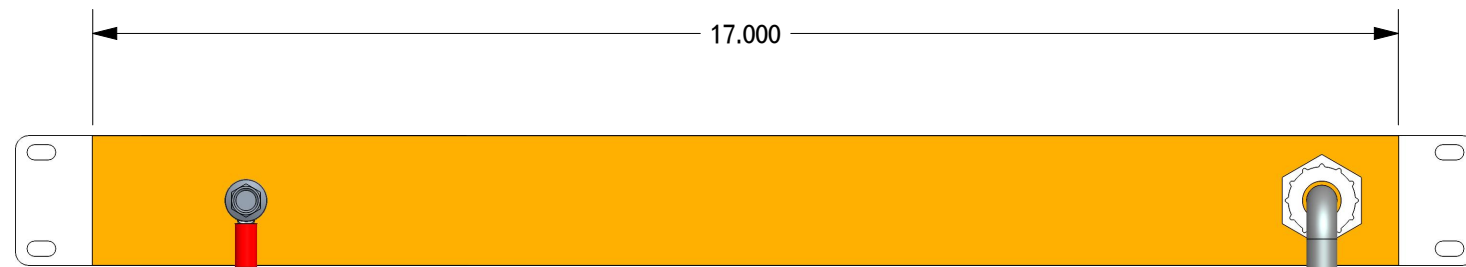
B



BOTTOM

C

C

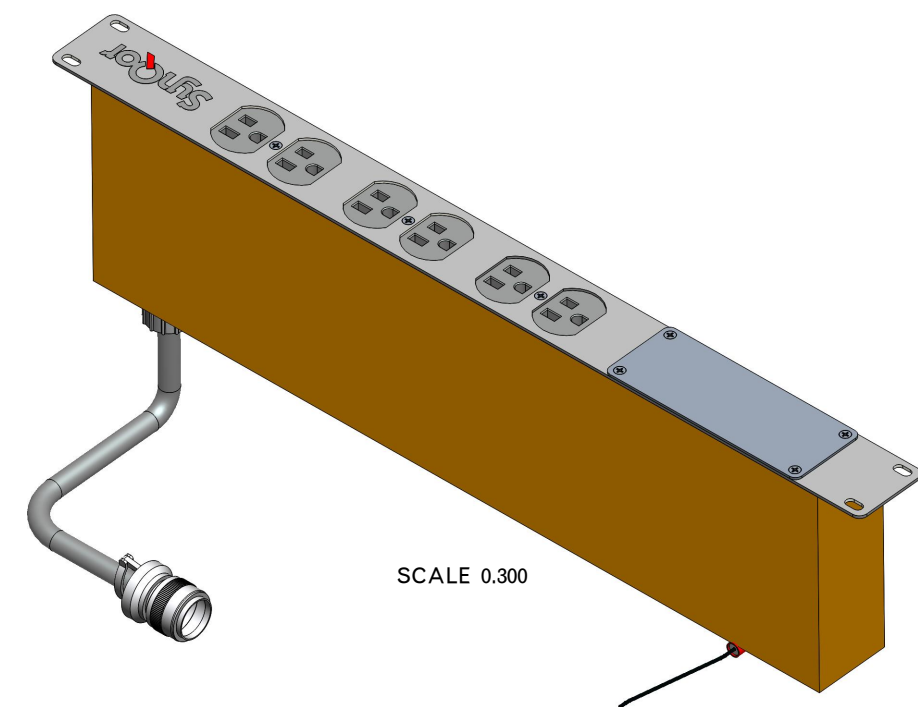


REAR PROJECTED

12AWG - 3'

MS3476L14-4P

M85049/52-1-14N



SCALE 0.300

NOTES:
 (1) PLUG RECEPTACLE: NEMA 5-15R, 15A 120V.
 (2) WEIGHT: 2.85lbs (1.29kgs)

D

D

TOLERANCES:
 Unless otherwise specified:
 All dimensions in inches
 .X +/- .025
 .XX +/- .010
 .XXX +/- .005
 Angles +/- 1°

Third Angle Projection

THIS DRAWING IS THE PROPERTY OF SYNQOR LLC. It is not to be reproduced or copied, in whole or in part, or used for furnishing information to others, or for any purpose detrimental to the interests of SynQor. The information shown herein may be protected by patents owned or controlled by SynQor.

SynQor 155 Swanson Road
 Boxborough, MA 01719-1316

**UPS POWER STRIP
 WITHOUT BREAKER**

SOURCE: PRO/E SYN-9231

SIZE	DATE	DWG. NO.	REV
B	FEB-04-20	SYN-9231	B

SCALE: 0.400 DRAWN: KJD CHECK: SHEET 1 of 1

1

2

3

4